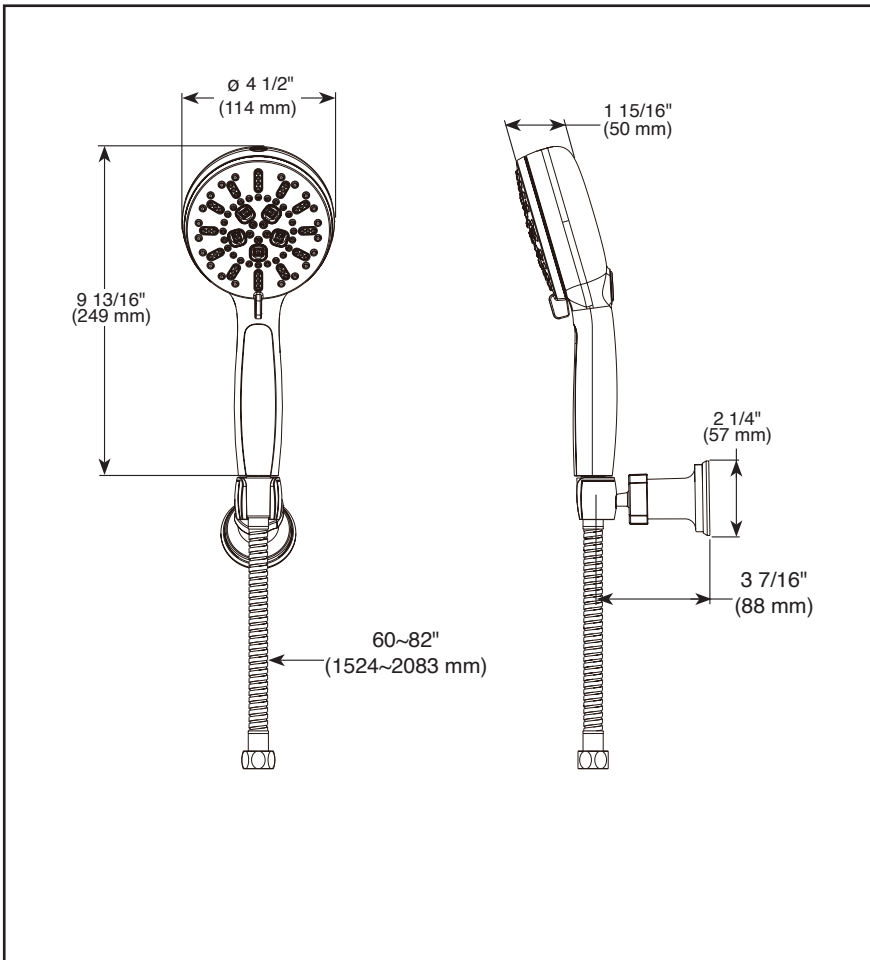


Submitted Model No.: _____

Specific Features: _____



▲ Designate proper finish suffix

◆ Your Delta Faucet handshower incorporates a backflow protection system that has been tested to be in compliance with ASME A112.18.3 and ASME A112.18.1/CSA B125.1. It incorporates two certified check valves in series, which operate independently and are integral, non-serviceable parts of the wand assembly.

Delta reserves the right (1) to make changes in specifications and materials, and (2) to change or discontinue models, both without notice or obligation. Dimensions are for reference only. See current full-line price book or www.deltafaucet.com for finish options and product availability.

DSP-B-55884 Rev. A



see what Delta can do™

WALL MOUNT HAND SHOWER

■ 7-Spray Setting Hand Shower

FEATURES:

- Touch-Clean® Nozzles
- H2Okinetic® Technology Hand Shower
- ProClean™ spray setting

STANDARD SPECIFICATIONS:

- 1.75 gpm @80 PSI, 6.6 L/min @ 550 kPa
- 60"- 82" (1524 mm - 2083 mm) stretchable metal hose
- Adjustable wall mount for hands-free showering
- Hand held shower with 7 spray settings
- Easy turn dial to change hand shower spray settings, includes pause, a non-positive shut-off
- Certified dual check valves for backflow prevention
- Ball connector swivel angle is 36° (18° per side)

WARRANTY

- Parts and Finish – Lifetime limited warranty; or for commercial purchasers, 10 years for multi-family residential (apartments and condominiums) and 5 years for all other commercial uses, in each case from the date of purchase.
- Electronic Parts and Batteries (if applicable) – 5 years from the date of purchase; or for commercial purchasers, 1 year from the date of purchase. No warranty is provided on batteries.



COMPLIES WITH:

- ASME A112.18.1 / CSA B125.1 ◆
- EPA WaterSense®

Delta Faucet Company

55 E. 111th Street, Indianapolis, Indiana 46280
350 South Edgeware Road, St. Thomas, Ontario Canada N5P 4L1
© 2022 Delta Faucet Company